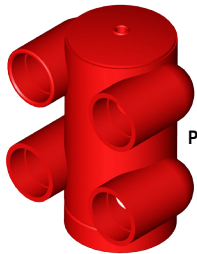


Flush, Free Standing and Fire Pump Connections

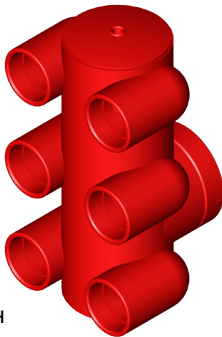
REV2 12-23-14

SQUARE and RECTANGLE BODY

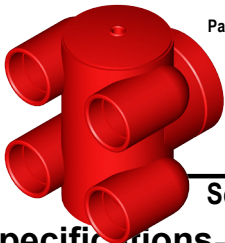
Secondary inlet connections that supplement fire protection water supplies.
Rugged, lightweight, offered in different styles.



Part No. FDM6N3N-22V



Part No. FDM6N3N-22H



Part No. FDM6N3N-23H

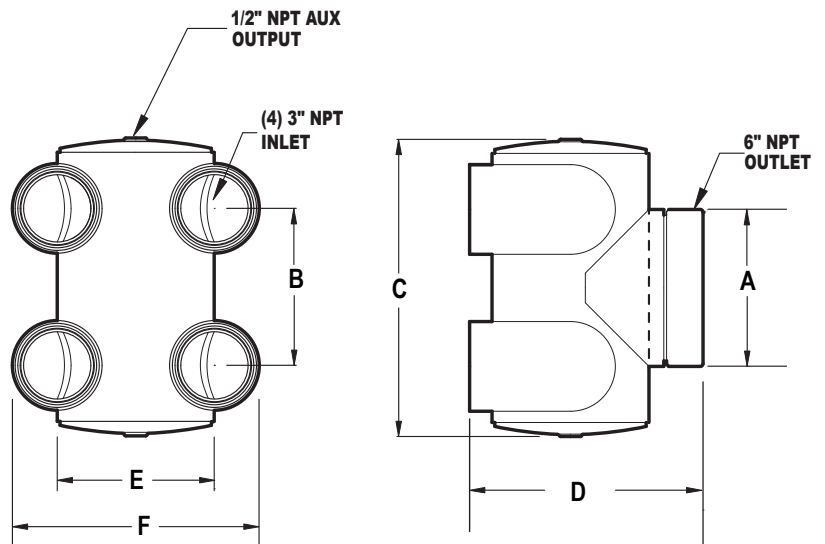
Square and Rectangle Manifold Configurations												
Style				Outlet			Dimensions (inches)					
Vertical PART #	Horizontal PART #	Material: Body	Inlet: No. & Size	Location	Size Inches	Type	A	B	C	D	E	F
FDM6N3N-22V	—————	Aluminum	(4) 3" NPT	Vertical	6"	T	—	7	14 3/8	8	7	11
—————	FDM6N3N-22H	Aluminum	(4) 3" NPT	Back	6"	T	7	7	13 1/4	10 5/8	7	11
FDM6G3N-22V	—————	Aluminum	(4) 3" NPT	Vertical	6"	G	—	7	14 1/4	8	7	11
—————	FDM6G3N-22H	Aluminum	(4) 3" NPT	Back	6"	G	6 5/8	7	13 1/4	10 5/16	7	11
FDM8N3N-23V	—————	Aluminum	(6) 3" NPT	Vertical	8"	T	—	7	23 1/2	9 1/2	9 15/16	11
—————	FDM8N3N-23H	Aluminum	(6) 3" NPT	Back	8"	T	9 15/16	7	20 1/4	12 3/8	7	11
FDM8G3N-23V	—————	Aluminum	(6) 3" NPT	Vertical	8"	G	—	7	21 3/4	8 7/8	5 5/8	11
—————	FDM8G3N-23H	Aluminum	(6) 3" NPT	Back	8"	G	8 5/8	7	20 1/4	10 3/4	7	11

See Chart for other Styles

Specifications

- Material:** Made from 6061-T6, Lightweight Aluminum
- Standard Finish:** Powder Coated for longevity & durability
- Laser Engraving Options:**
 - Auto Spkr, Standpipe*
 - Dry Standpipe
 - Auto Spkr Standpipe
- Optional Finishes:**
 - K-Brass
 - K-Chrome
 - Quantum Hard Coat
 - Micralox
- Connection Variations:** Threaded and Grooved
- Pressure Rating:** Working Pressure Rated at 300 PSI

*Call for details



Drawing for 4-Way Square, Part No. FDM6N3N-22H Versions